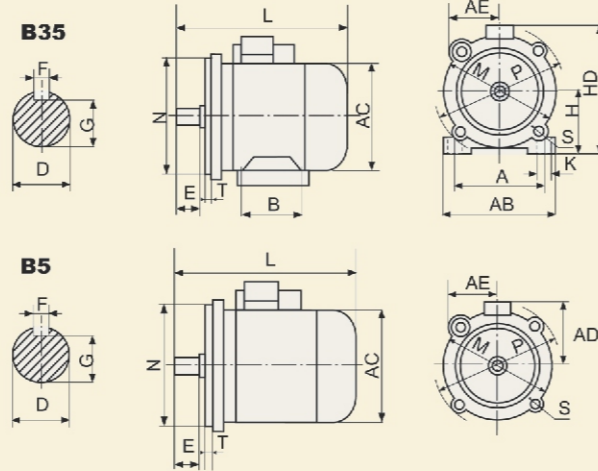




YC/YCL SERIES SINGLE PHASE INDUCTION MOTOR

YC/YCL SERIES SINGLE PHASE INDUCTION MOTOR



MOTOR FEATURES

- IP44 enclosure
- Class B insulation, Class F available on request
- Low operating temperature
- High quality magnet wire
- Vacuum varnish impregnation for superior tropic proof insulation
- Continuous S1 operation
- Industrial type service factors
- Heavy duty ball bearings
- High strength cast iron frame
- Balanced rotors
- Cool running motors

CUSTOMER BENEFITS

- Water dust and vermin resistant
- Quiet operation
- Corrosion resistant
- Reliable in country, city or factory environments
- Very low vibration
- Very low power consumption
- Superior life
- Suitable for hot environments
- Low start current and EMC interference

Frame Size	Mounting Dimension (mm)												Overall Dimension (mm)							
	A	B	C	D	E	F	G	H	K	M	N	P	R	S	T	AB	AC	AD	HD	L
71	112	90	45	14	30	5	11	71	7	130	110	160	0	10	3.5	145	145	140	180	255
80	125	100	50	19	40	6	15.5	80	10	165	130	200		12	3.5	160	165	150	200	295
90S	140	100	56	24	50	8	20	90	10	165	130	200		12	3.5	180	185	160	240	370
90L	140	125	56	24	50	8	20	90	10	165	130	200		12	3.5	180	185	160	240	400
100L	160	140	63	28	60	8	24	100	12	215	180	250		15	4.0	205	220	180	260	430
112M	190	140	70	28	60	8	24	112	12	215	180	250		15	4.0	245	250	190	300	455
132S	216	140	89	38	80	10	33	132	12	265	230	300		15	4.0	280	290	210	350	525
132M	216	178	89	38	80	10	33	132	12	265	230	300		15	4.0	280	290	210	350	553

Technical Data (220V 50HZ)

Model	Power		Current A	Speed R.m.p	Eff %	Power factor	Starting Torque	Starting Current	Max Torque Rated Torque	Net Weight Kg
	HP	KW					Rated Torque	Rated Current		
YC80A-2	1/2	0.37	3.7	2880	62	0.73	2.8	6.5	1.8	10
YC80B-2	3/4	0.55	5.3	2880	65	0.73	2.8	6.5		11
YC80C-2	1	0.75	6.7	2880	68	0.75	2.4	6.5		13
YC90S-2	1.5	1.1	7.2	2880	73.2	0.95	2.8	6.0		17
YC90L-2	2	1.5	8.9	2900	79.2	0.97	2.8	7.0		22
YC100L-2	3	2.2	13.2	2900	78.8	0.96	3.0	6.5		29
YC80A-4	1/3	0.25	3.4	1450	56	0.60	2.8	6		10
YC80B-4	1/2	0.37	4.5	1450	60	0.62	2.8	6		11
YC80C-4	3/4	0.55	6.0	1450	64	0.65	2.8	6		13
YC90S-4	1	0.75	5.5	1450	73.3	0.93	2.8	6.5		17
YC90L-4	1.5	1.1	7.8	1450	71	0.90	2.5	6.0	22	
YC100L-4	2	1.5	9.3	1450	79.4	0.92	2.8	7.0	29	
YC112M1-4	4	3	18.4	1450	78	0.95	2.1	6.0	40	
YC112M2-4	5	3.7	22.4	1450	78	0.95	2.1	6.0		
YC132SA-4	4	3	25.2	1450	74	0.73	2.1	6.5	55	
YC132SB-4	5	3.7	30	1450	75	0.74	2.1	6.5	60	
YC132M1-4	7.5	5.5	32.5	1450	85	0.90	2.0	6.5		
YC132M2-4	10	7.5	40	1450	85	0.90	2.0	6.5		

Technical Data (220V 50HZ)

Model	Power		Current A	Speed R.m.p	Eff %	Power factor	Starting Torque	Starting Current	Max Torque Rated Torque	Net Weight Kg
	HP	KW					Rated Torque	Rated Current		
YCL90S-2	1.5	1.1	7.2	2880	73.2	0.95	2.8	6.0	1.8	16
YCL90L-2	2	1.5	8.9	2900	79.2	0.97	2.8	7.0		22
YCL100L-2	3	2.2	13.2	2900	78.8	0.96	3.0	6.5		29
YCL90S-4	1	0.75	5.5	1450	73.3	0.93	2.8	6.5		13
YCL90L-4	1.5	1.1	7.8	1450	71	0.90	2.5	6.0		16
YCL100L-4	2	1.5	9.3	1450	79.4	0.92	2.8	7.0		24
YCL112M-4	3	2.2	13.6	1450	81.6	0.90	2.3	6.5		37